

# 4752 TCO-47(01)

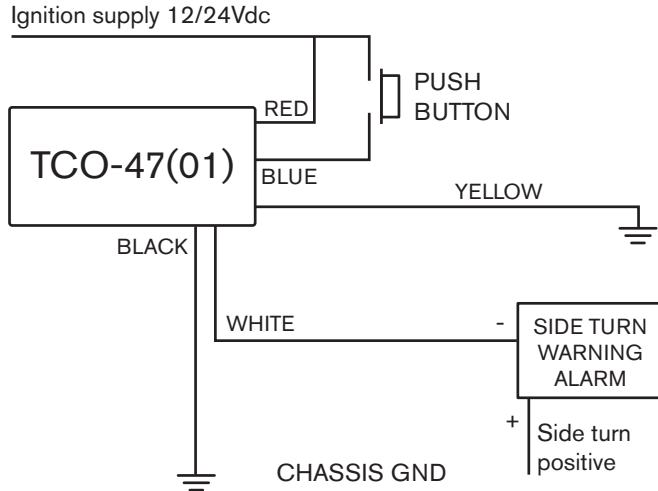
## Latching side turn alarm cut-out 12/24Vdc

The TCO-47(01) should be fitted in the side turn alarm positive or negative feed circuit, as per the diagram shown.



**Press push button to silence alarm. Press again to re-enable. Cycle ignition to reset.**

### SWITCH NEGATIVE CIRCUIT



### SWITCH POSITIVE CIRCUIT

